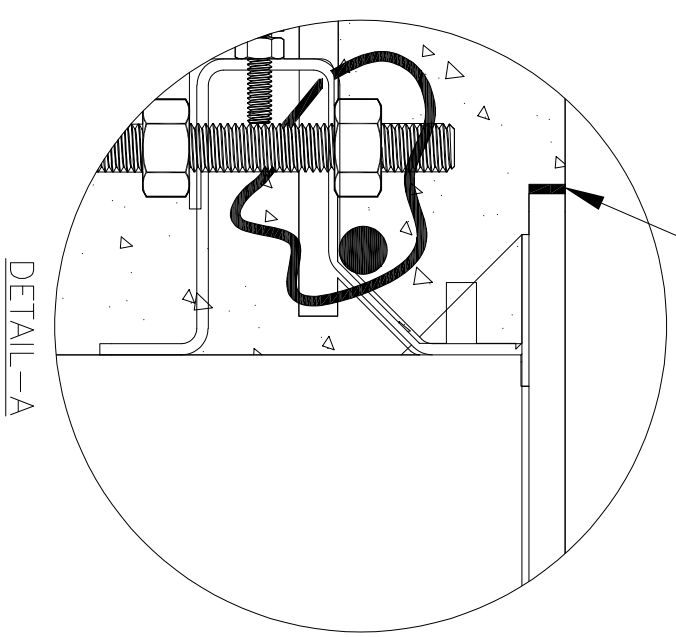
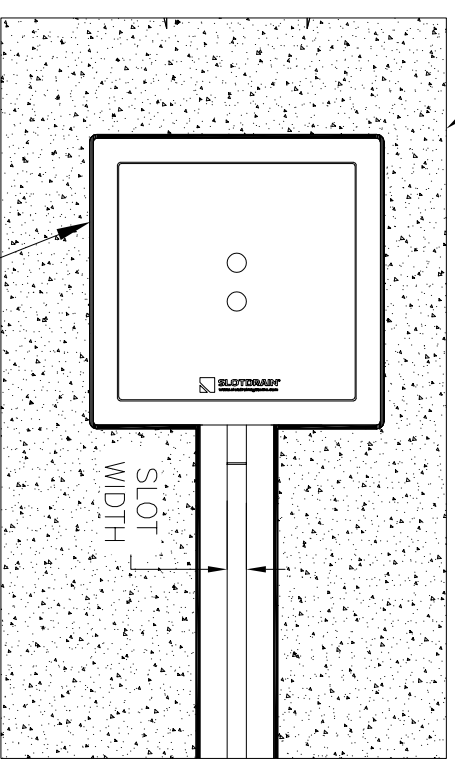
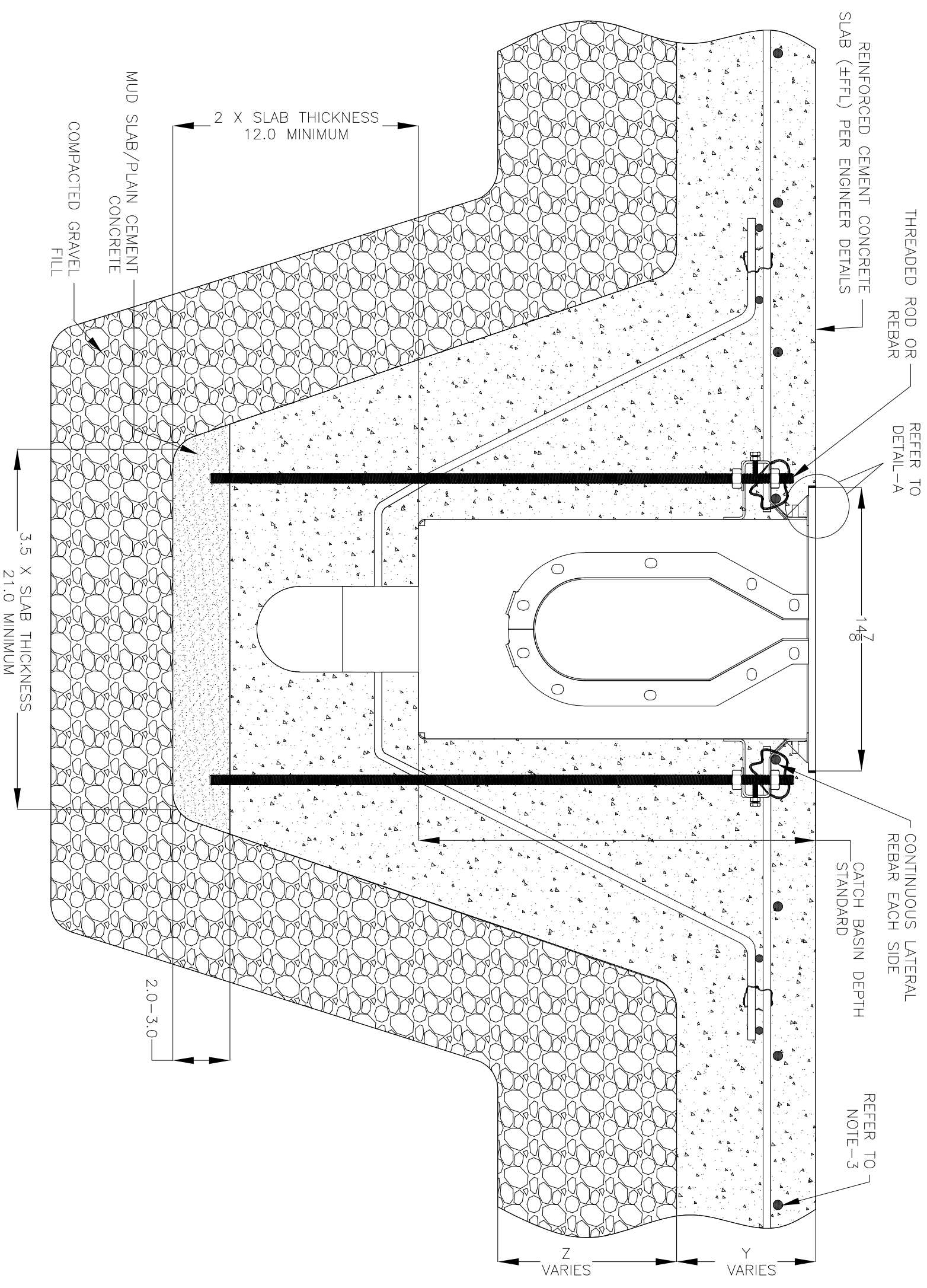


NOTES: UNLESS OTHERWISE SPECIFIED

1. ALL DIMENSIONS ARE IN INCHES.
2. CATCH BASIN BODY MATERIAL: 14GA STAINLESS STEEL T304/T316
3. SPECIFYING ENGINEER IS RESPONSIBLE FOR CONCRETE ENGAGEMENT AND REINFORCING BASED UPON APPLICATION AND LOCAL CODES.
4. REFER TO <https://info.slotdrainsystems.com/installresources> FOR INSTALLATION INSTRUCTIONS.

REINFORCED CEMENT CONCRETE SLAB
(±FFL) PER ENGINEER DETAILS



REVISIONS			
REV	DESCRIPTION	DATE	BY
0	INITIAL RELEASE - RO	11/20/2019	DK
1	UPDATED DRAWING LAYOUT & REBAR DETAILS	7/14/2021	DK
2	UPDATED WITH GLOBAL DRAIN TEMPLATE	3/19/2024	DK



DRAWING TITLE
CONCRETE FLOOR-NEW CONSTRUCTION INSTALLATION

DRAIN SERIES
12X12X20 CATCH BASIN

DWG NO.
IN-12X12X20FGPII-001-R2

SIZE
B

SCALE
NTS

SHEET
1 OF 1

12X12X20 CATCH BASIN INSTALLATION DETAILS

ALL DRAWINGS ARE THE EXCLUSIVE PROPERTY OF SLOT DRAIN SYSTEMS. ANY REPRODUCTION IN PART OR IN WHOLE IS PROHIBITED WITHOUT PROPER CONSENT.